



# Side Dresser

## Model TP3A & Model TP6A (Shown in Picture)

(Model TP3A and Model TP6A are the same except for the type of fertilizer box.....TP3A comes with wood box and TP6A comes with polyethylene box)

## INSTALLATION and OPERATION

We recommend that the side dresser be fastened to the center of the two row cultivator frame. The correct location is found by measuring five inches from the center hole of the frame. The drive wheel is then to be fastened to the rear of the side dresser frame. Next, fasten the long brace to the rear fertilizer box braces. We furnish a yoke for fastening the fertilizer spouts which will be found bolted to the frame of the side dresser and the fertilizer spouts are to be bolted to this yoke.

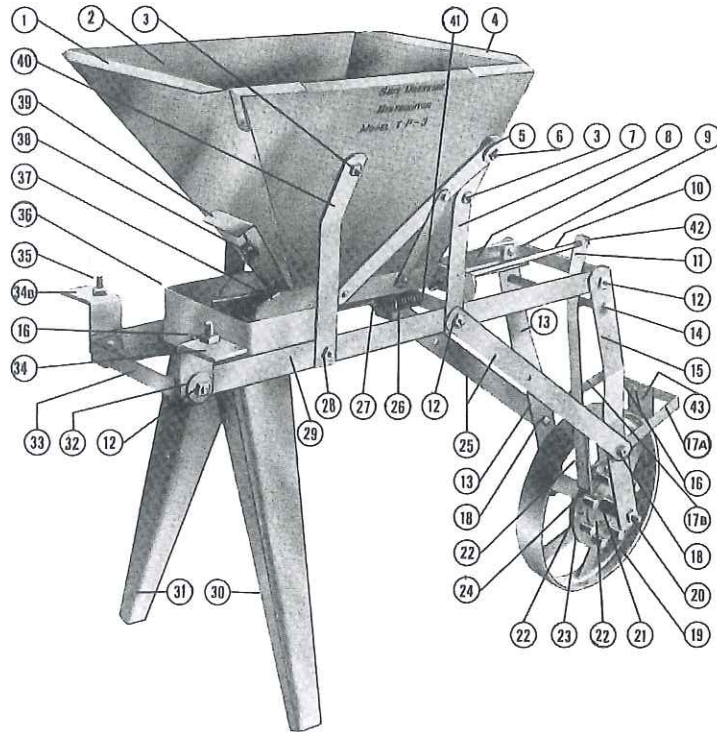
The vibrating rod, size  $3/8'' \times 14 \frac{1}{2}''$ , is used for adjusting the stroke on the vibrating pan. Be sure that the two nuts are placed on the end of the rod. One nut is used for adjusting the stroke and the other is used for a jam nut.

The Side Dresser can be adjusted to put out any number of pounds of fertilizer per acre desired.

The fertilizer spouts can be adjusted to be used on any width rows desired.

(We do have an adapter kit available if Side Dresser is used on one row cultivator)

# MODEL NO. TP-3A and MODEL TP-6A SIDE DRESSER



A tractor mounted Side Dressing Distributor for applying fertilizer to two rows at one time during the normal cultivation procedure. The unit can be adjusted to distribute fertilizer at any normal rate per acre and can be used on any normal width rows.

Item No.	Cov. No.	Description	Item No.	Cov. No.	Description
1	TP86FA	BOX END, Front Fertilizer (Metal)		HN3	NUT, 5/16" Hex
2	SD83A	BOX, Fertilizer, <i>Wood</i>	23	D6	VIBRATOR, Drive Wheel
	TP820	BOX, Fertilizer, <i>Poly</i>	24	SD6	ARM, Steel Tappet
3	BC-5	BOLT, 5/16" x 1 1/2" Carriage with	25	SD5	BRACE, Pull Arm Wheel
	HN3	NUT, 5/16" Hex	26	TP78	SPRING, No. 2 Vibrating
4	TP86RA	BOX END, Rear Fertilizer (Metal)	27	TP81A	BOLT, 5/16" x 3 3/4" Carriage with
5	TP34	BUSHING, Vibrating Pan		HN3	NUT, 5/16" Hex and
6	BC-6	BOLT, 5/16" x 1 3/4" Carriage with		FW3	WASHER, 5/16" Flat and
	HN3	NUT, 5/16" Hex		LW3	WASHER, 5/16" Lock
7	SD88	BRACE, Rear Fertilizer Box	28	BC-9	BOLT, 3/8" x 1" Carriage with
8	SD35R	FRAME, Main Angle — Right		HN4	NUT, 3/8" Hex
9	SD2R	SPACER, Rear Frame (Same as SD80)	29	SD35L	FRAME, Main Angle — Left
10	SD3	ROD, Adjusting — 3/8" x 14 1/2"	30	SD77L	SPOUT, Fertilizer — Left
11	SD7	SUPPORT, Tappet Arm	31	SD77R	SPOUT, Fertilizer — Right
12	BC-10	BOLT, 3/8" x 1 1/4" Carriage with	32	TP33	BEARING, Pull Yoke
	HN4	NUT, 3/8" Hex	33	SD2F	SPACER, Front Frame (Same as SD80)
13	SD4R	STANDARD, Main Wheel — Right	34A	SD68L	YOKE, Front Pull — Left
14	TP51A	BOLT, 3/8" x 9 1/4" Carriage with	34B	SD68R	YOKE, Front Pull — Right
	HN4	NUT, 3/8" Hex	35	BC-13	BOLT, 7/16" x 1 1/4" Carriage with
15	SD4L	STANDARD, Main Wheel — Left		HN5	NUT, 7/16" Hex
16	BC-3	BOLT, 5/16" x 3/4" Carriage with	36	SD70A	YOKE, Fertilizer Spout
	HN3	NUT, 5/16" Hex	37	SD79A	PAN, Vibrating (Riveted Assembly)
17A	SD56	BRACE, Wheel Scrape — Left	38	TP84A	BOLT, 3/8" x 3/4" Hex Head with
17B	SD56	BRACE, Wheel Scrape — Right		WN4	NUT, 3/8" Wing and
18	BM-1	BOLT, 3/8" x 1" Hex Head with		FW4	WASHER, 3/8" Flat
	HN4	NUT, 3/8" Hex	39	TP85	GATE, Fertilizer Box Cut-Off
19	D9	WHEEL, Cast Drive	40	SD87	BRACE, Front Fertilizer Box
20	SD1A	BOLT, 7/16" x 7 1/2" Hex Head with	41	SD80	YOKE, Vibrating Pan
	HN5	NUT 7/16" Hex and	42	HN4	NUT, 3/8" Hex (2)
	SD1B	BUSHING, Pipe (for D7)—Hidden		LW4	WASHER, 3/8" Lock
21	D7	AXLE, Drive Wheel	43	SD54A	SCRAPE, Wheel
22	BC-4	BOLT, 5/16" x 1" Carriage with		SD19	BUSHING, Wheel Standard (not shown)